



Ultra small coaxial intelligent dome camera

Products features

- Coaxial control the manu, PTZ, varifocal (485 can control PTZ、zoom) ;
- Tilt 88° /pan 355° rotation;
- Coaxial control compatible with kinds of famous brand back-ends of the market;
- Support AHD/CVI/TVI/CVBS 4 in 1 multi signal mode switch;
- Built-in 2.8-12mm (standard) /6-22mm (optional) ;
- Built-in Osram High-Power IR-lamp, IR distance 50M;
- Dc12v power supply;

Setting

- ★ 485 control mode of ID(address position) setting (use coaxial control not require for setting)
- ID setting just for one to one setting, not support multi module parallel connection to setting.
- After set teh address code of DVR or controler(like 001 or 002 etc.)、 protocol set as PELCO-D、 baud rate set as 9600.then use 485 connet to module(attention A/B is correct connect),after connected called NO.80 preset position,at this moment the lens will move,it representative success to set the ID.

- ★ Cruise scan setting
- Cruise scan: 3 bars
- Fixed cruise line 1: NO.1~16 preset point
- Fixed cruise line 2: NO.17~32 preset point
- Fixed cruise line 3: NO.33~48 preset point

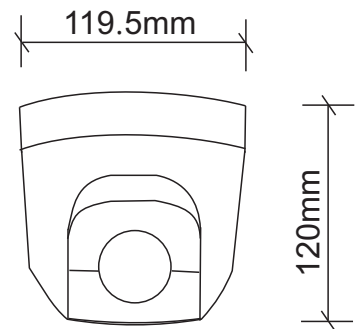
- ★ Called method:
- Called preset position 49 to operation cruise line1
- Called preset position 50 to operation cruise line2
- Called preset position 51 to operation cruise line3

- ★ Setting remain time:
- Called NO.52 preset point: short remain time
- Called NO.53 preset point: medium remain time
- Called NO.54 preset point: long remain time

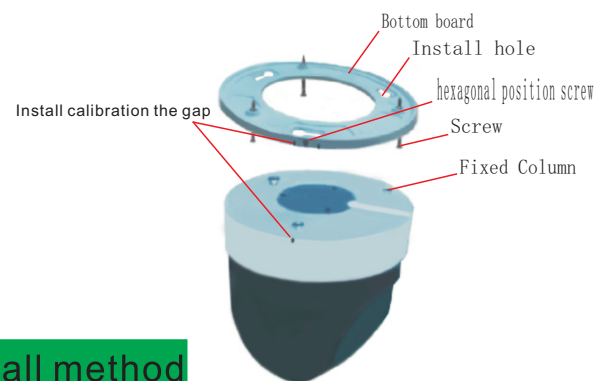
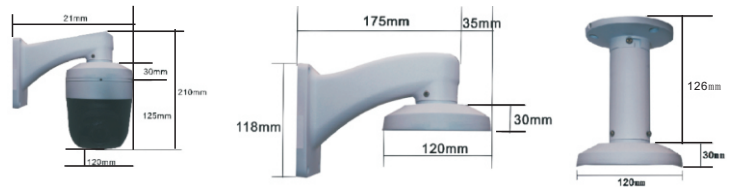
- ★ Left/Right scan setting:
- Setting Left scope: called NO.55 preset point
- Setting Right scope: called NO.56 preset point
- Setting L/R scan speed1: called NO.57 preset point: (5s)
- Setting L/R scan speed2: called NO.58 preset point (20s)
- Setting L/R scan speed3: called NO.59 preset point (64s)
- Operation L/R scan : called NO.60 preset point

- ★ System setting:
- Reset to default setting: called NO.61 preset point
- IR lamp switch: called NO.62 preset point
- Delete all preset: called NO.63 preset point
- Lens/dome camera reset : called NO.64 preset point

Appearance measurement



Optional bracket



Install method

- 1、 Selected the install position of camera;
- 2、 Put to install the camera on the ceiling or on the wall; Make the fixed colum of the bottom board aim to the
- 3、 install hole of the bottom board,and fixed the camera by clockwise rotation,then locked and orientation the hexagonal position screw

Technology parameter

Video	
Sensor	1/2.8" CMOS
Total pixel	1920(H)x1080(V)
Effective pixel	2MP
Scan system	progressive scan processor
Min illumination	color:0.1Lux black□:0.01Lux
Output mode	AHD/CVI/TVI/CVBS
Operation	
AGC	auto
White balance	auto following white balance/manual
Shutter speed	auto
Day/Night switch	color/black/white/IR (outside)
Noise reduction	10 level adjustable
BLC	8 level adjustable
Brightness	20 level adjustable
Language	simplified Chinese/English
Environment	
Operation temperature	-20°C~+ 55°C
Store temperature	-25°C~+ 65°C
Electricity	
Input current	Dc12v±10%
Power consumption	100mA with IR OFF, 680mA with IR ON



Menu switch mode method: After camera normal on,

- Press Left button after 5s release is AHD
- Press Right button after 5s release is TVI
- Press UP button after 5s release is CVBS
- Press Down button after 5s release is CVI